

# SERIES IMP/P AND RMC/P PORTABLE CONTROLLERS

## SERIES IMP/P SINGLE-ZONE CONTROLLER

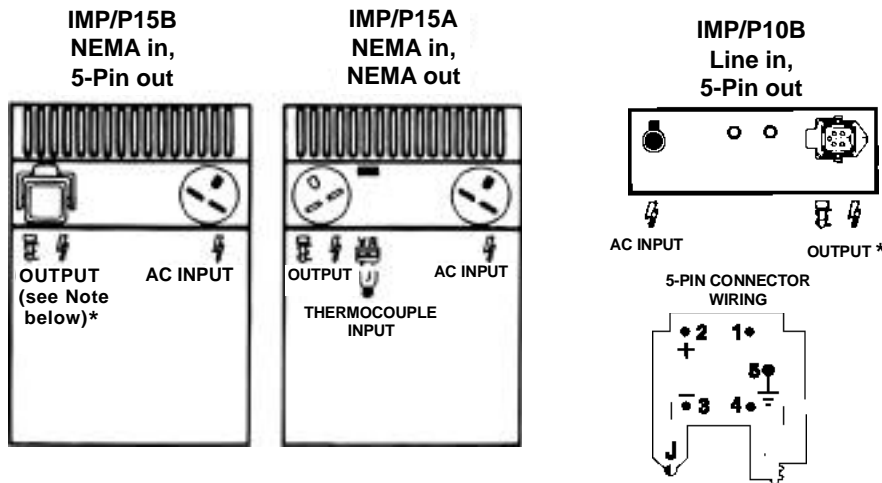


Note: For features and technical specifications of the Series IMP/P, refer to the Series IMP description on page 6.

## SERIES RMC/P SINGLE-ZONE CONTROLLER

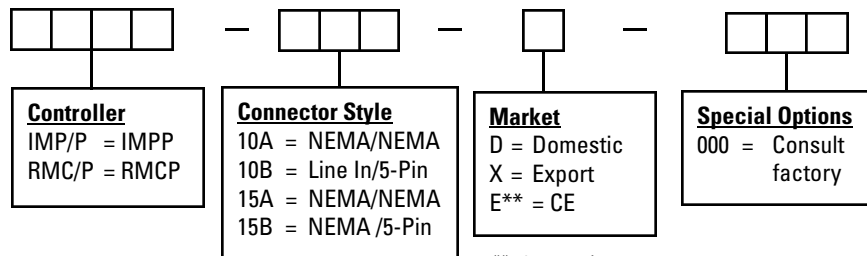


Note: For features and technical specifications of the Series RMC/P, refer to the Series RMC description on page 10.



\*Note: Mating connector CKPTM1 supplied.

## Ordering Information



\*\* 10 amp only