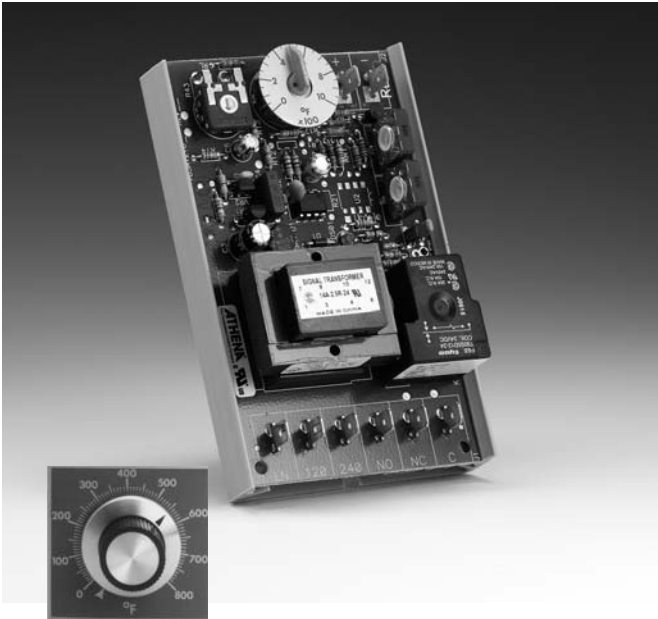


Analog Series 88 Electronic Temperature Controller



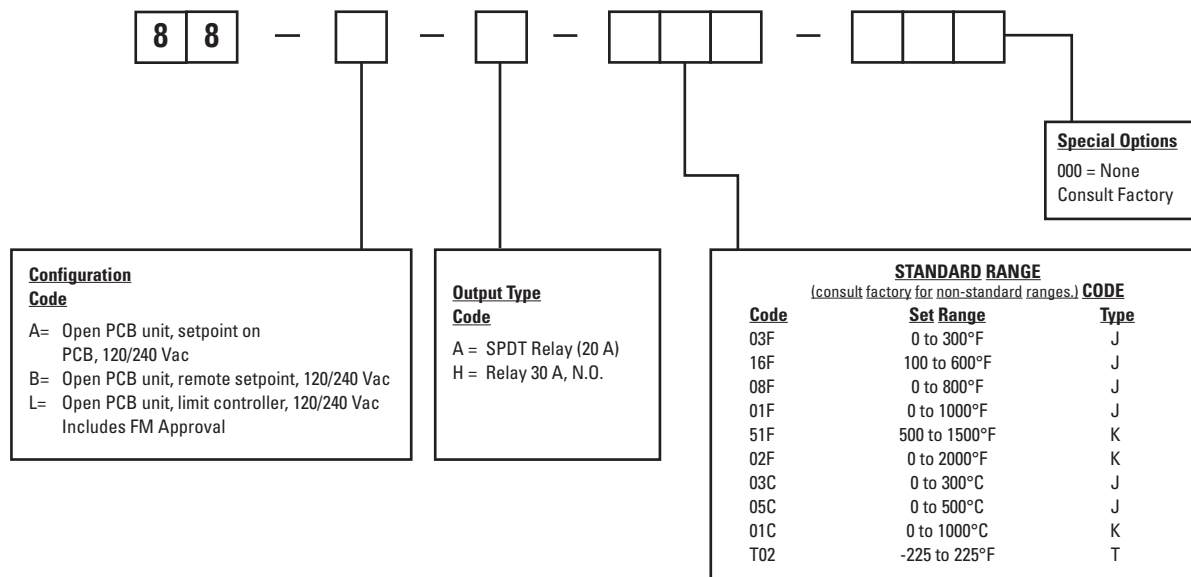
Remote Setpoint Potentiometer (optional)

The Athena Series 88 is a non-indicating, track mounted temperature controller that can be used as a superior replacement for bulb and capillary controllers. The controller accepts thermocouple input, and offers a 20 Amp relay output.

- ▲ On-Off or Time Proportioning
- ▲ Failsafe on Open Sensor
- ▲ No Calibration Necessary
- ▲ 1% Accuracy
- ▲ Thermocouple Input
- ▲ Track Mounted
- ▲ Cooling Processes
- ▲ Limit Controller Option



Ordering Information



Analog Series 88 Electronic Temperature Controllers

Technical Specifications

<p>Setpoint</p> <p>Setpoint Resolution</p> <p>Calibration Accuracy</p> <p>Ambient Temperature</p> <p>Humidity Tolerance</p> <p>Cold Junction Compensation</p>	<p>Single-turn, 270° rotation potentiometer (local or remote) is standard Remote digital thumbwheel available for RTD only</p> <p>1% with circuit board potentiometer, 1/4% with remote potentiometer</p> <p>1% at calibration points with remote potentiometer 2% at calibration points, potentiometer on circuit board</p> <p>32°F to 130°F (0°C to 55°C)</p> <p>5 to 95%, non-condensing</p> <p>Internal electrical bridge</p>	<p>Hysteresis/Proportional Band</p> <p>Thermocouple Break Protection</p> <p>Output</p> <p>Supply Voltage</p> <p>Input</p> <p>Power Consumption</p> <p>Connections</p>	<p>Thermocouple adjustable from hysteresis of 5° to proportional band of 25° RTD deadband is 3° to proportional band of 10°</p> <p>Output power off with open sensor</p> <p>Type B Relay S.P.D.T. 7 A/5 A @ 120/240 V Type H Relay S.P.D.T. 15 A/7 A @ 120/240 V (NON PLUG IN)</p> <p>120/240 Vac ±10%</p> <p>Thermocouple, sensor break protection</p> <p>2 watts</p> <p>Fast-on lugs</p>
---	---	--	--

