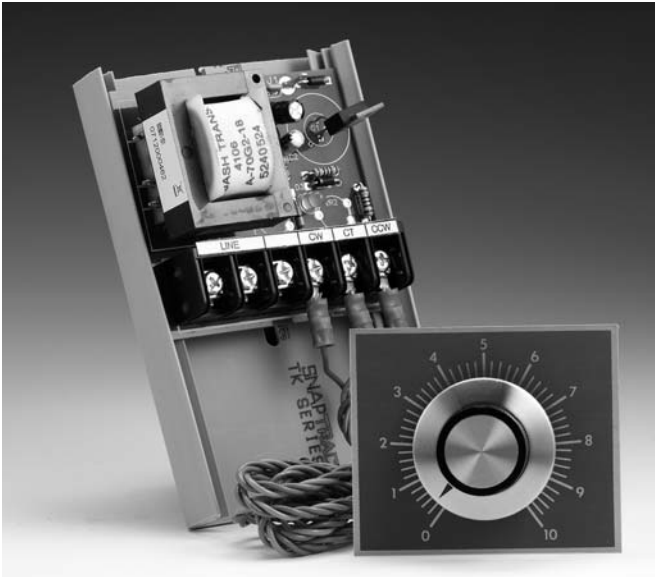


# Manual Station Temperature Controller Series 90

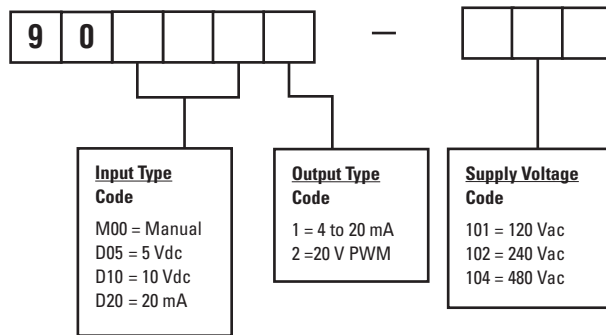


Remote Setpoint Potentiometer (optional)

The Athena 90 is a non-indicating, manual station controller for low cost open loop control. The controller allows manual setting of output level on SCR power controllers, proportional valves, and other final control mechanisms.

- ▲ Fully Variable 4-20 mAdc or 20 V Pulse Width Modulation (PWM) Output
- ▲ Includes circuit board, mounting track, dial potentiometer with 48" leads, scale, knob, and female contacts.

## Ordering Information



## Technical Specifications

Power	120, 240, or 480 V +10% -15%, 50/60 Hz
Input	0-135 ohm minimum, 0-1000 ohm maximum potentiometer (500-ohm potentiometer supplied with 48" leads)
Ambient Temperature	32°F to 131°F (0°C to 55°C)

Dimensions	
Unit	5" L x 3.25" W x 2" H (12.7 cm L x 8.26 cm W x 5.1 cm H)
Scale Plate	2.75" W x 2.375" H (6.98 cm W x 6.03 cm H)

Specifications subject to change without notice.

