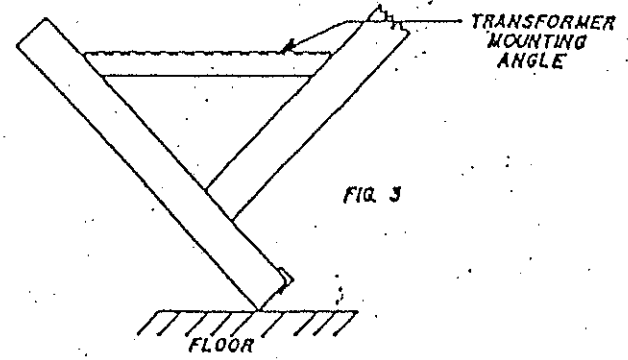
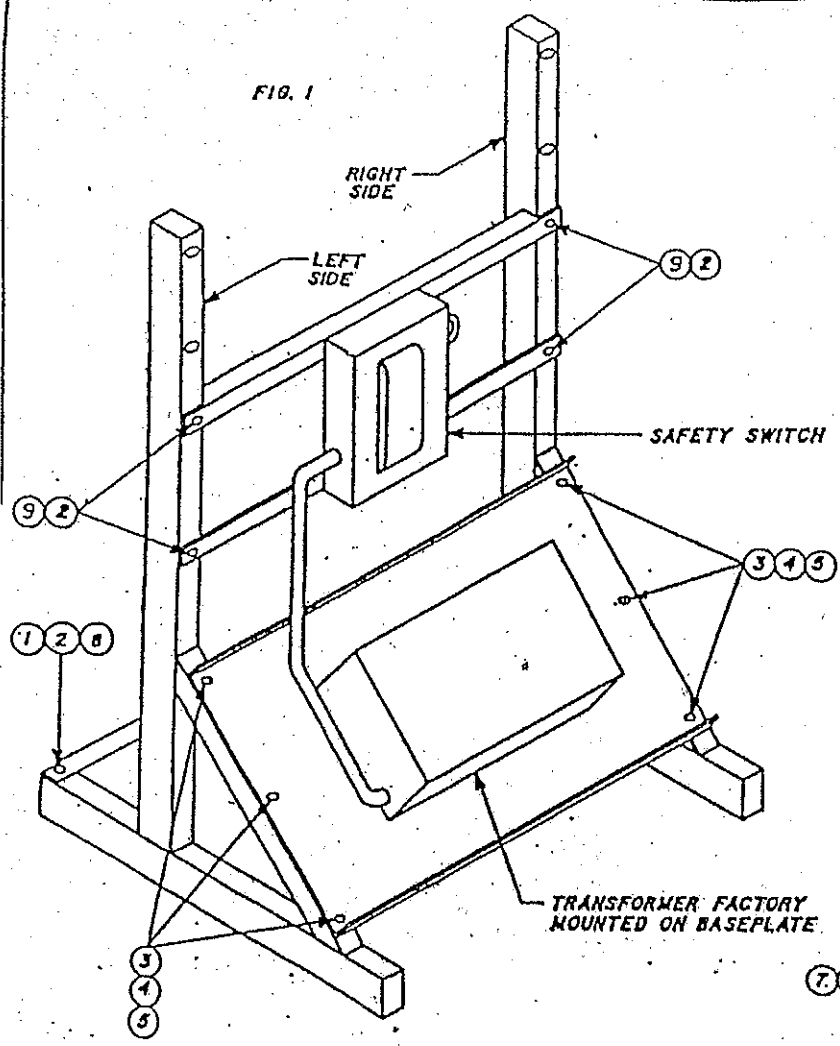


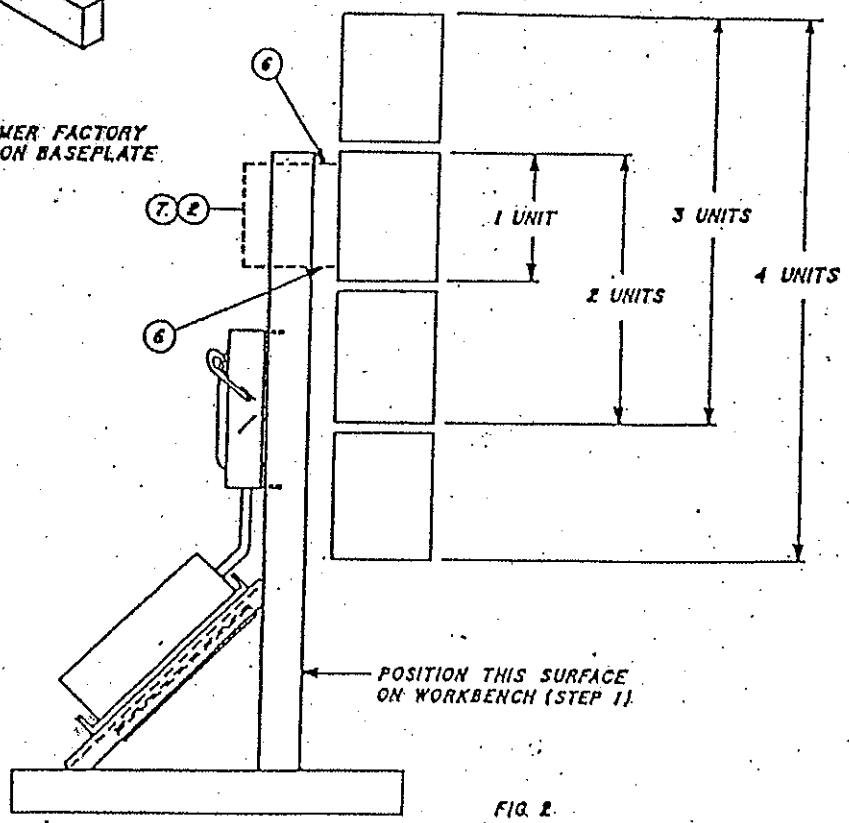
TRANSFORMER KIT HARDWARE LIST

REF. NO.	DESCRIPTION	QUANTITY
1	1/4-20X1/2 HEX HEAD BOLT	4
2	1/4 SPLIT LOCKWASHER	12
3	5/16-18X5/8 HEX HEAD BOLT	6
4	5/16 SPLIT LOCKWASHER	6
5	5/16-18 X 9/16 AF HEX NUT	6
6	1/4 X 3/4 FLAT WASHER	4
7	1/4-20X 2-1/2 HEX HEAD BOLT	4
8	1/4-20X7/16 AF HEX NUT	4
9	1/4-20 X 3/4 HEX HEAD BOLT	4



ASSEMBLY INSTRUCTIONS:

- LAY UPRIGHT ON WORKBENCH WITH LONG SIDES FLAT ON SURFACE.
- ASSEMBLY SAFETY SWITCH ASSY. AS SHOWN IN FIG. 1. ALSO INSTALL REAR BRACES. HAND TIGHTEN ONLY.
- MOVE FLOORSTAND TO A LEVEL FLOOR. POSITION THE FLOORSTAND SO THAT THE TRANSFORMER MOUNTING ANGLES ARE PARALLEL TO THE FLOOR (FIG. 3).
- POSITION TRANSFORMER ON FLOORSTAND AND FASTEN WITH HARDWARE SUPPLIED.
- RETURN FLOORSTAND TO IT'S NORMAL POSITION ON THE CASTERS
- INSTALL THE MAINFRAME CABINET ASSY PER FIG. 2. AT THIS TIME ALL INSTALLED HARDWARE MAY BE TIGHTENED
- CONNECT THE SEALED FLEX CONDUIT TO THE SAFETY SWITCH. CONNECT THE POWER WIRES TO THE APPROPRIATE LUGS. CONNECT THE BONDING CONDUCTOR (GREEN) TO THE LUG PROVIDED.



TRANSFORMER KIT ASSY INSTRUCTIONS
CAT NO'S TK3, TK6, TK9, TK15

MATERIAL:	NEXT REV:	UNIT: TK3, TK6, TK9, TK15	OWN: F.L.F.
	WARNING:		APPROX: 33
SURFACE:	UNLESS OTHERWISE SPECIFIED TOLERANCES ON DIMENSIONS DECIMAL ANGLES	TITLE: TRANSFORMER KIT ASSEMBLY INSTRUCTIONS	DATE: 9/85
PACHT:	+ - - + - - + - -		SCALE:
FINISH:	UNIT: 0111 100 0111 000 0111	DATE NUMBER: 0744-401003-00R	REV: 1

COPYRIGHT © 1985 STANLEY'S PRECISION PRODUCTS, INC. GARDEN CITY PARK, N.Y.
EXCEPT AS MAY BE OTHERWISE PROVIDED BY CONTRACT THESE DRAWINGS AND SPECIFICATIONS ARE THE PROPERTY OF STANLEY'S PRECISION PRODUCTS, INC. RESULTS IN STRICT CONFIDENCE, AND SHALL NOT BE REPRODUCED OR COPIED OR USED AS THE BASIS FOR THE MANUFACTURE OR SALE OF APPARATUS WITHOUT PERMISSION. ALL RIGHTS OF REPRODUCTION OF THIS DRAWING, PRINT OR COPY, OR THE ARTICLE DESCRIBED THEREON ARE RESERVED BY STANLEY'S PRECISION PRODUCTS, INC.